

WELL CONTROL INSTRUMENTATION

ZONE 1 MANIFOLD TEMPERATURE SENSOR



ELECTRO-FLOW
CONTROLS

FINESCALE GAUGES LIQUID SEAL MONITOR HPHT MONITORING GLYCOL INJECTION BOP & CHOKE CONTROL OVERBOARD VALVE CONTROL



ZONE 1 MANIFOLD TEMPERATURE SENSOR

- KILL UPSTREAM
- CHOKE UPSTREAM
- KILL DOWNSTREAM
- CHOKE DOWNSTREAM

KEY BENEFITS

- SENSOR CAN MONITOR THE TEMPERATURE OF FLOWING MUD INSTEAD OF THE “DEAD END”
- SENSOR DOES NOT INTRUDE INTO FLOWING MUD AND GAS
- NO THERMOWELL PORTS OR COMPANION FLANGE CONNECTIONS REQUIRED
- 4-20mA OUTPUT



DESIGNED & CONSTRUCTED
TO OPERATE IN ZONE 1 AREAS



WELL CONTROL INSTRUMENTATION

ZONE 1 MANIFOLD

TEMPERATURE SENSOR



**ELECTRO-FLOW
CONTROLS**

FINESCALE GAUGES LIQUID SEAL MONITOR HPHT MONITORING GLYCOL INJECTION BOP & CHOKE CONTROL OVERBOARD VALVE CONTROL

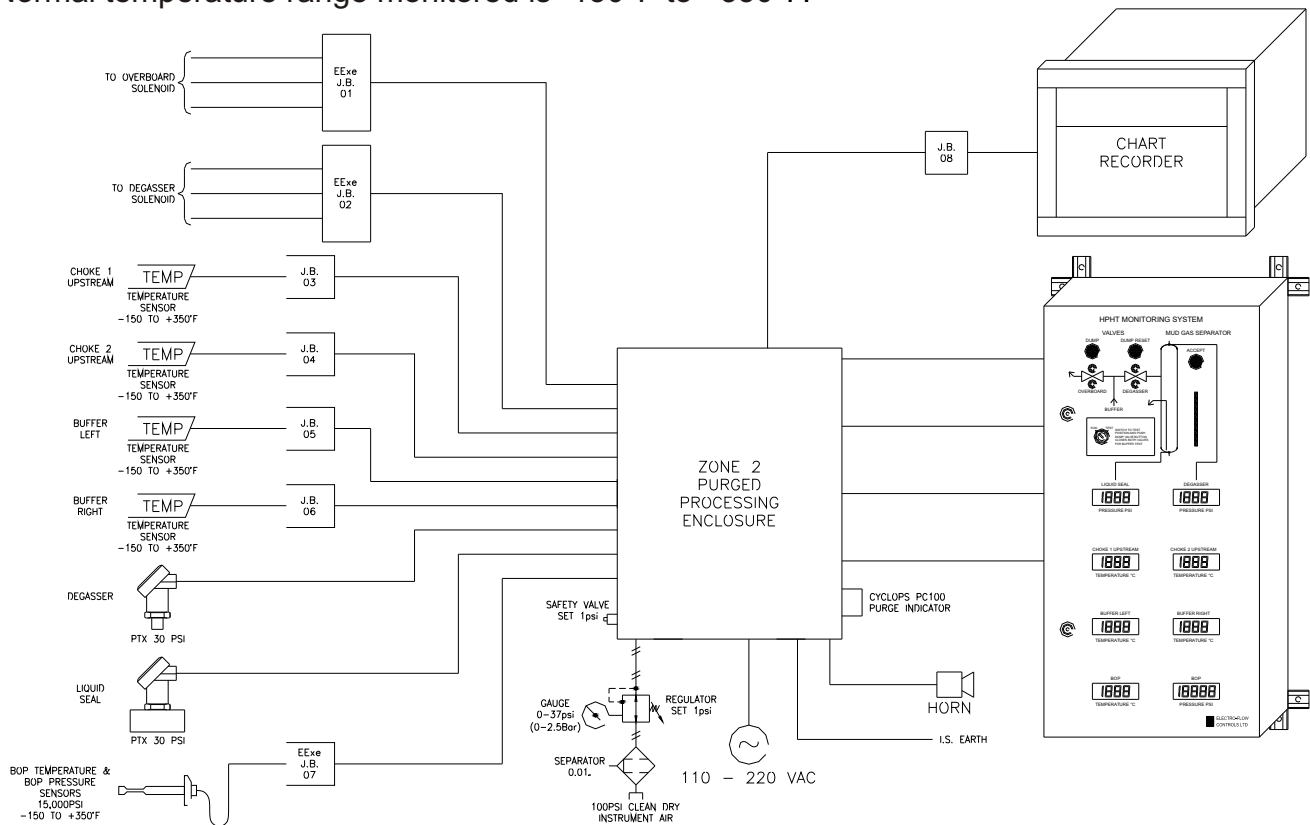
EFC's Temperature Sensor is designed to monitor skin temperature of manifold temperature, typically in 4 locations: Upstream and Downstream of both Remote Chokes and often at the Poorboy Degasser.

Each Zone 1 Manifold Temperature Sensor Assembly consists of an insulated temperature sensor, signal conditioning module, local junction box, documentation, certification and Installation Manual

The Temperature Sensor assembly straps to a pipe section at any convenient point. Ideally, the pipe section available should be approx. 600mm, however shorter lengths can be accommodated if needed.

Temperature sensors are suitable for pipe ODs of between 4" & 6". Alternative sizes of pipe OD can be accommodated. It is recommended to locate the sensors on the Choke and Kill lines immediately upstream of the Choke & Kill Manifold and immediately downstream of the remote Chokes.

Normal temperature range monitored is -150°F to +350°F.



Temperature Sensors within HPHT System

ELECTRO-FLOW CONTROLS LTD

Block 1, Units 3-7
Souterhead Road
Altens
Aberdeen AB12 3LF Scotland UK
T: +44 (0) 1224 249355
F: +44 (0) 1224 249339
E: infouk@electroflowcontrols.com

www.electroflowcontrols.com

ELECTRO-FLOW CONTROLS

1424 West Sam Houston Parkway North
Suite 140
Houston
Texas 77043 USA
T: +1 713 468 5325
F: +1 713 468 3498
E: infousa@electroflowcontrols.com

