

FINESCALE GAUGES (FSG)



**ELECTRO-FLOW
CONTROLS**

LIQUID SEAL MONITOR HPHT MONITORING GLYCOL INJECTION BOP & CHOKE CONTROL OVERBOARD VALVE CONTROL

EFC's family of Well Control Instrumentation adds value to the Choke Control System of any rig. Our WCI package is a real speciality, comprising - Finescale Gauges, Liquid Seal Monitor, Advanced Choke Control, HPHT Monitoring and Overboard Valve Control.



Horizontal FSG 35

FINESCALE GAUGES

FSGs are sets of high resolution, 8" gauges, displaying small pressure changes in the drilling manifolds.

FSG 35

System includes 3 sensors and 5 gauges

- Cost-effective Upgrade
- Easily Integrated
- Overscale Protected
- 8" Analogue Gauges
- 1 Sensor Per 3 Gauges
- Operates On 4-20ma Signal
- Exi'a' Atex Certified
- Repeater Gauges Option



THE FINESCALE GAUGE SYSTEM IS CERTIFIED
TO COMPLY WITH HARMONISED
EUROPEAN STANDARDS CODE II 2 G EExi 'a' IIC T6





FINESCALE GAUGES (FSG)

ELECTRO-FLOW CONTROLS

LIQUID SEAL MONITOR HPHT MONITORING GLYCOL INJECTION BOP & CHOKE CONTROL OVERBOARD VALVE CONTROL

As pressure rises, gauge pointers move simultaneously. On the illustrations shown, three gauges indicate Choke & Kill, two gauges indicate Standpipe pressure. Only 3 sensors are required, one each for Choke, Kill and Standpipe. Additional 'slave' FSG sets can be added to display pressure on the manifolds.

TYPICAL FSG MONITORS:

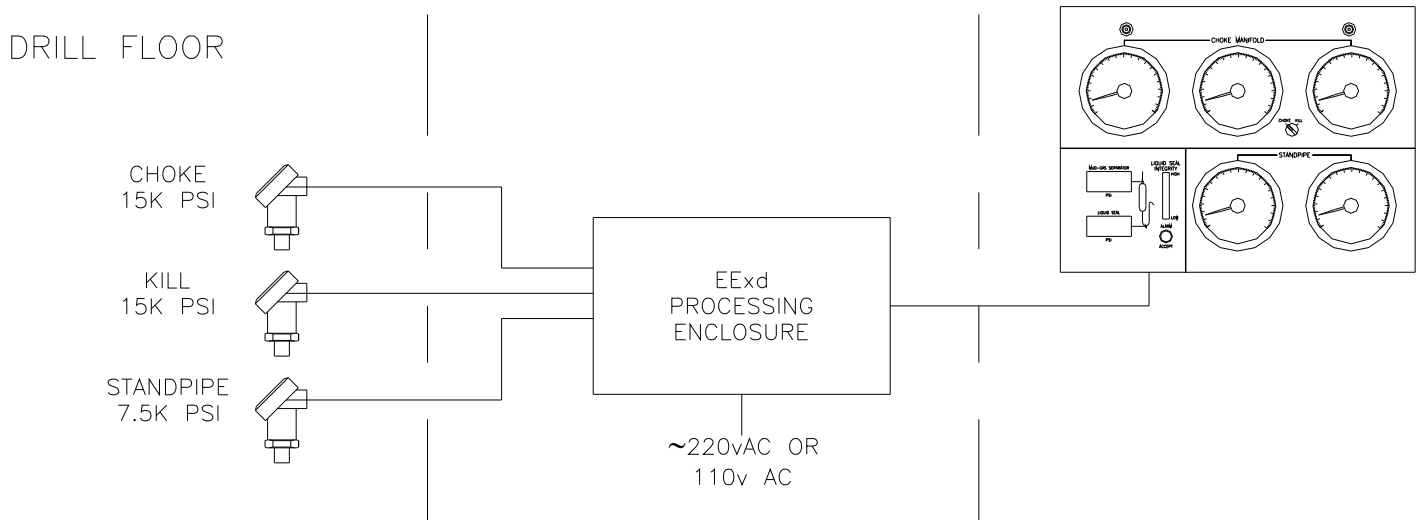
- Choke Pressure
- Kill Pressure
- Standpipe Pressure

Enclosure shape and size can vary and may be tailored to suit available space.

Unlike hydraulic systems, no manual isolation is required as gauge limits are reached. EFC's electronic solution ensures no damage to gauges or sensors.



Vertical FSG 35



FSG 35 System with integrated LSM