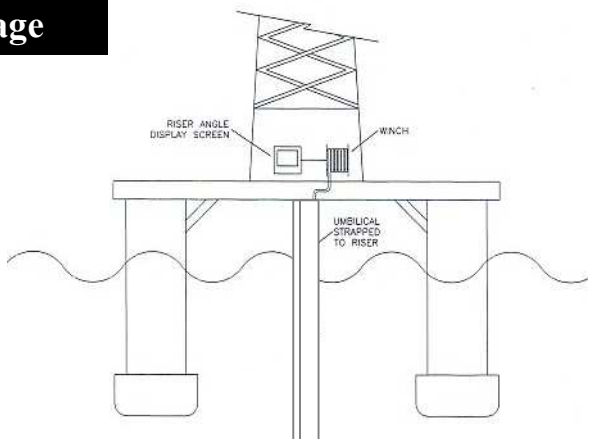


Sample PC Display - Main Page



The example shown on this page reflects calm conditions with vertical riser and no rig offset. BOP orientation has altered by 2.7°

RISER ANGLE MONITORING

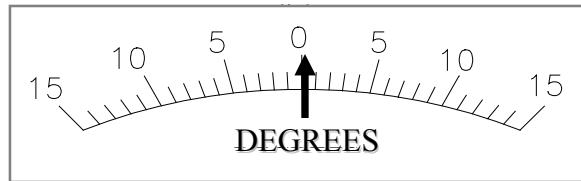
Client: -

Asset: SEMI SUB

Date:

Quote:

RISER OFFSET from VERTICAL



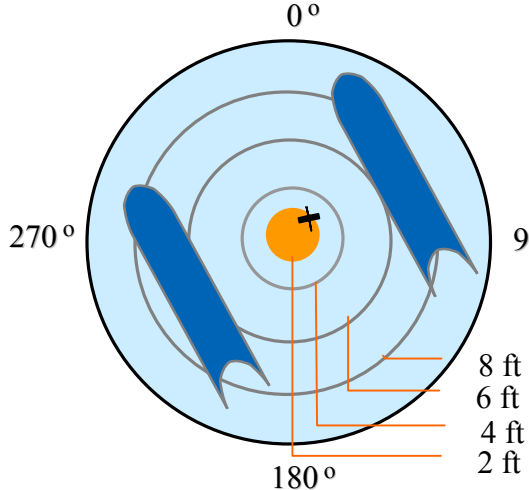
MAGNETIC NORTH

0.07°

RIG OFFSET

OFFSET AZIMUTH 36°

OFFSET AMOUNT 1.25 ft



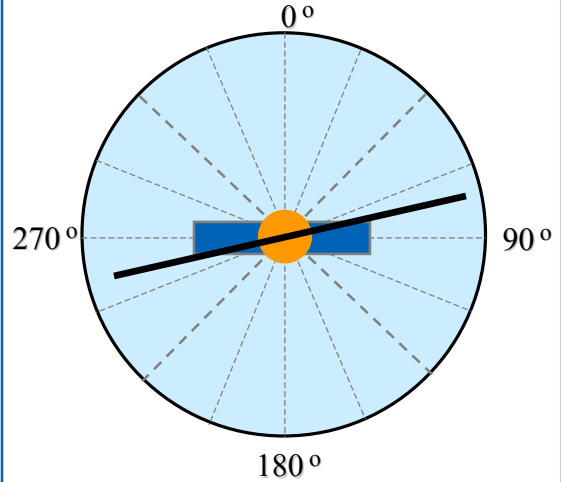
BOP OFFSET from VERTICAL

FLEX JOINT 0°

STACK 0°

BOP ORIENTATION

OFFSET from ORIGINAL AZIMUTH 2.7°



ELECTRO-FLOW CONTROLS

Aberdeen, Scotland
T: +44 (0)1224 249355
F: +44 (0)1224 249339

Houston, Texas
T: +1 713 468 5325
F: +1 713 468 3498

info@electroflowcontrols.com
www.electroflowcontrols.com