

CCTV SYSTEMS FPSO/ PRODUCTION AREA TV



ELECTRO-FLOW
CONTROLS



EFC Camera Assembly



Typical Hazardous Area Dual TFT Screen

FPSO/PRODUCTION AREA TV

MONITOR HAZARDOUS AREAS:

- PROCESS TRAINS
- RISERS
- TURRETS AND TURRET ANCHORS
- STORAGE TANKS
- LOADING AND OFFLOADING, EQUIPMENT HANDLING
- FLARE TIP MONITORING
- CRANES

MONITOR SAFE AREAS:

- BALLAST AREAS
- ENGINE ROOM
- HELIDECK

CAMERA OPTIONS:

- COLOUR
- PAN & TILT, ZOOM LENS
- FIXED, WIDE ANGLE LENS
- WIPER, WASHER
- SUNSHIELD
- TELEMETRY RECEIVER CARD

DISPLAY OPTIONS:

- SPACE-EFFICIENT TFT, AVAILABLE IN 15", 17" OR LARGER
- PLASMA SCREENS
- CAMERA CONTROL AND SELECTION
- SIMPLE OPERATOR INTERFACE
- RELAY VIA PC NETWORK
- HAZARDOUS AREA SCREENS AVAILABLE



THE CCTV SYSTEM IS CERTIFIED TO COMPLY
WITH HARMONISED EUROPEAN STANDARDS



CCTV SYSTEMS FPSO/ PRODUCTION AREA TV



**ELECTRO-FLOW
CONTROLS**

DESCRIPTION

The Zone 1, ATEX certified systems are designed to operate in the harshest conditions. Each tailor-made system can be as comprehensive as necessary, and can be further expanded in line with operational requirements.

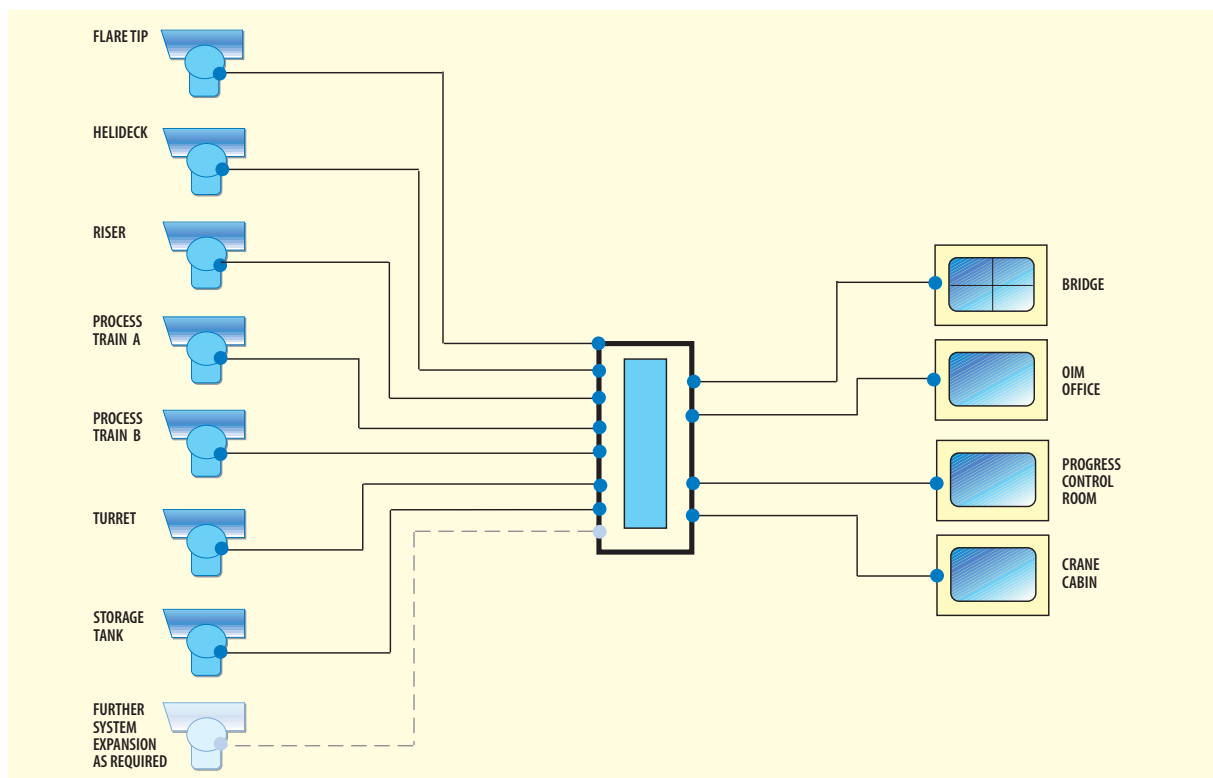
TFT monitors are increasingly popular due to space efficiency, increased visibility and high bright screens. Plasma screens can also be provided, both are available in a variety of sizes.

Video images are distributable to a number of stations.

EFC has an excellent track record in providing hazardous area CCTV solutions. Please contact us for further information and to discuss your specific requirements.



CRT Safe Area Monitors and Controls



ELECTRO-FLOW CONTROLS LTD

Block1 Unit 3
Souterhead Road
Altens
Aberdeen AB12 3LF Scotland UK
Tel +44 1224 249355
Fax +44 1224 249339
Email info@electroflowcontrols.com

ELECTRO-FLOW CONTROLS

1424 West Sam Houston Parkway North
Suite 140
Houston
Texas 77043 USA
Tel +1 713 468 5325
Fax +1 713 468 3498
Email info@electroflowcontrols.com

www.electroflowcontrols.com



**ELECTRO-FLOW
CONTROLS**